



CB 316 HC B-Qube New

LIST OF THE EXPLODED VIEWS



SHELL ASSY

COOLING SYSTEM

HYDRAULIC CIRCUIT

HYDRAULIC CIRCUIT DP

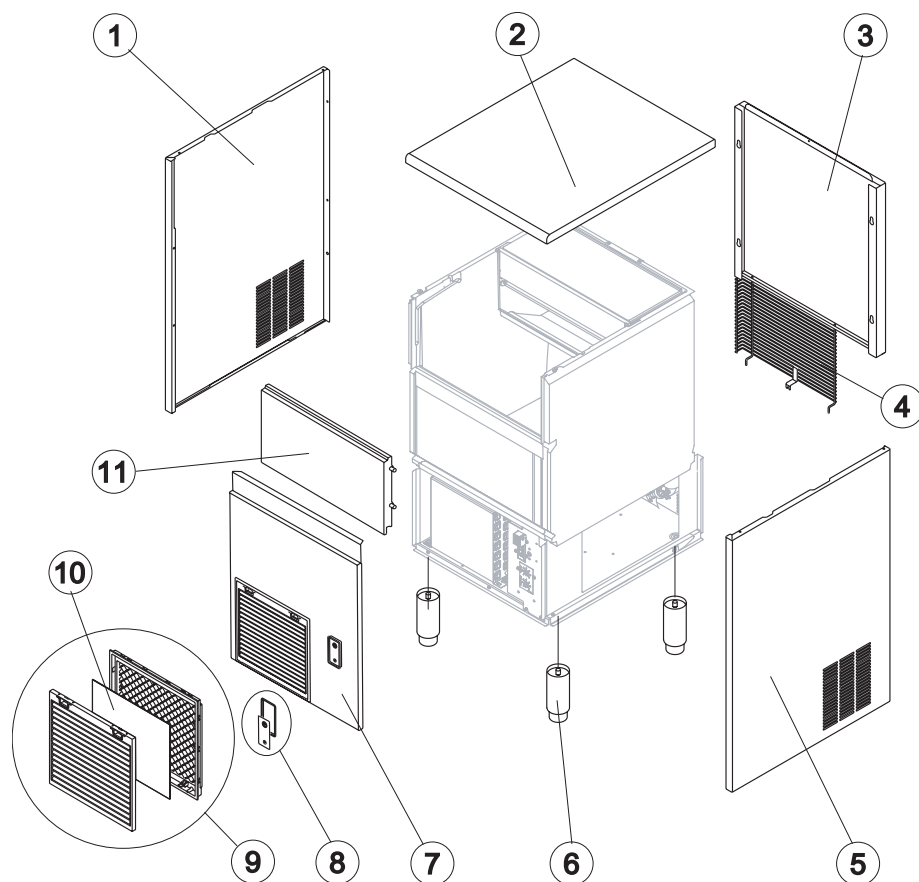
ELECTRICAL PARTS

Rev. 00 - 10/01/2022



CB 316 HC B-Qube New

SHELL ASSY



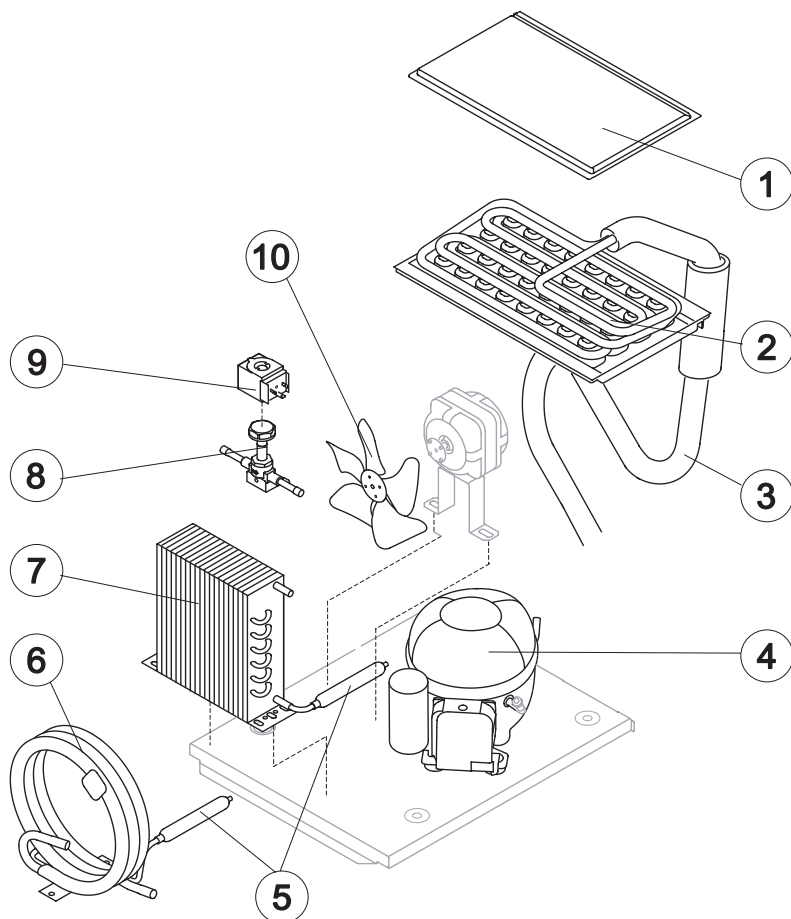
Ref.	Spare Description	Code
1	Left Side Panel Assembly	C221976
2	Top	221967
3	Rear Side Panel	21564
4	Back grill	D12136
5	Right Side Panel Assembly	C221977
6	Adjustable Foot	20613
7	Front Panel	C221963
8	On-Off switch Frame with Label	C10958
9	Grid whit Filter Assembly	C10205
10	Filter	18106
11	Door Assembly	C10297

Rev. 00 - 10/01/2022



CB 316 HC B-Qube New

COOLING SYSTEM



Common Parts

Ref.	Spare Description	Code
1	Evaporator Cover Panel	10513
2	Evaporator Assy	D10894
3	Suction Line	for the spare parts code give us the s/n.
4	Compressor	231159
5*	Liquid Line Drier	14009
8*	Hot Gas Valve Body	201129
9*	Hot Gas Valve Coil	231294
10	Suction Fan	See Table

Parts for Air-Cooled Version Only

Ref.	Spare Description	Code
7	Air Condenser	201234

Parts for Water-Cooled Version Only

Ref.	Spare Description	Code
6	Water Condenser	14014

Ref. 10 - Suction Fan

Voltage	Air	Water
220/240V 50 Hz	20096	10213

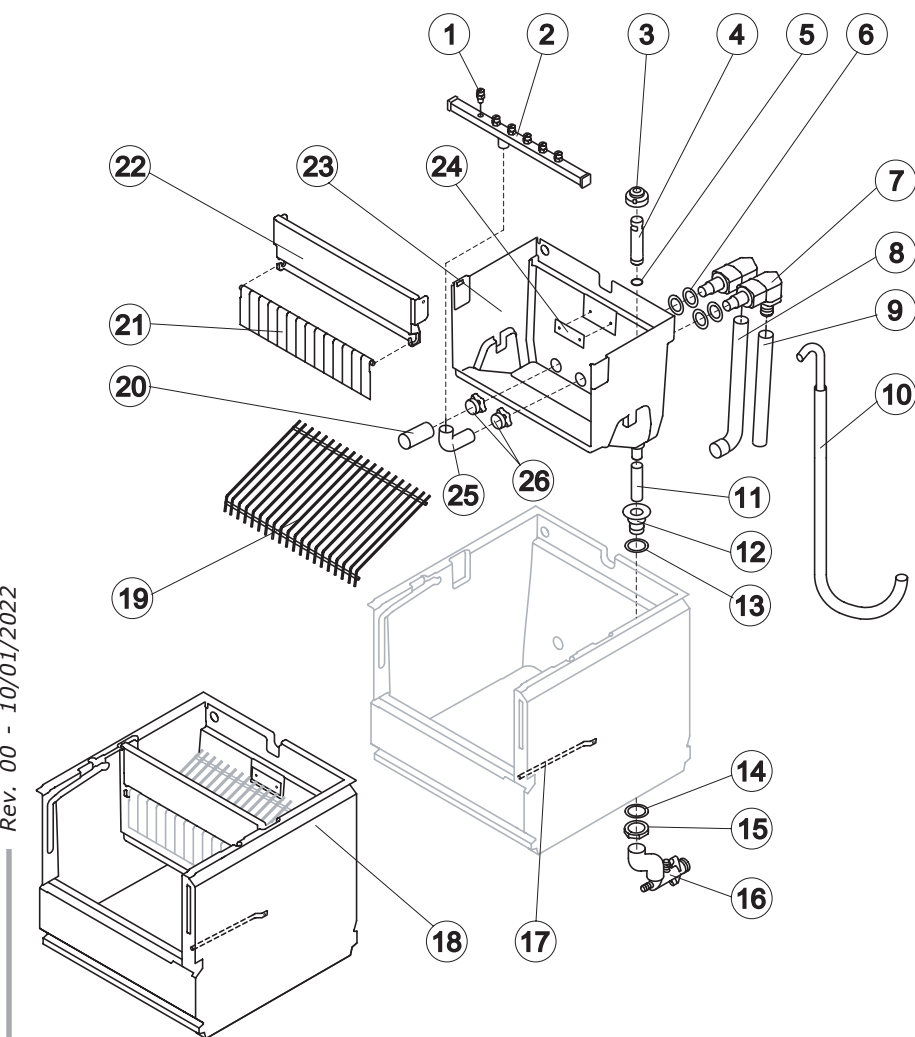
Rev. 00 - 10/01/2022



CB 316 HC B-Qube New

HYDRAULIC CIRCUIT

only for CB316A HC B-Qube and CB316W HC B-Qube



Common Parts

Ref.	Spare Description	Code
1	Sprayer	D20002
2*	Sprayers Bar Assembly	C201255
3*	Overflow Cap	10305
4*	Overflow Pipe	10133
5*	OR Gasket for Overflow Pipe	20233
6	Gasket for Pump Suction/Delivery Pipes	13220
7	Insulated Pump Suction/Delivery Fitting	C10653
8	Insulated Pump Suction Pipe	C13172
9	Insulated Pump Delivery Pipe	C13175295
10*	Water Supply Pipe to the Evaporator	C13224
11*	Overflow Pipe	13107
12	Water Outlet Nipple	10472
13	Gasket	13219
14	Semirigid Polyethylene Gasket	13007
15	Bin Discharge Nut	10096
17	Bulbe-holder Pipe	20522
18	Complete Basin Assembly	C11257
19*	Ice Cubes Slide	D12137
20*	Pump Suction Filter	20005
21	Rod with Flags	10534
22	Flags ABS Support	10526
23	Inner Basin	10916
24	Slide Keep Plate	10009
25	Sprayers Feeding Pipe	13005
26	Fittings Locking Ring	10654

Parts for Air-Cooled Version Only

Ref.	Spare Description	Code
16	Discharges Manifold	C10006

Parts for Water-Cooled Version Only

Ref.	Spare Description	Code
16	Discharges Manifold	C26452

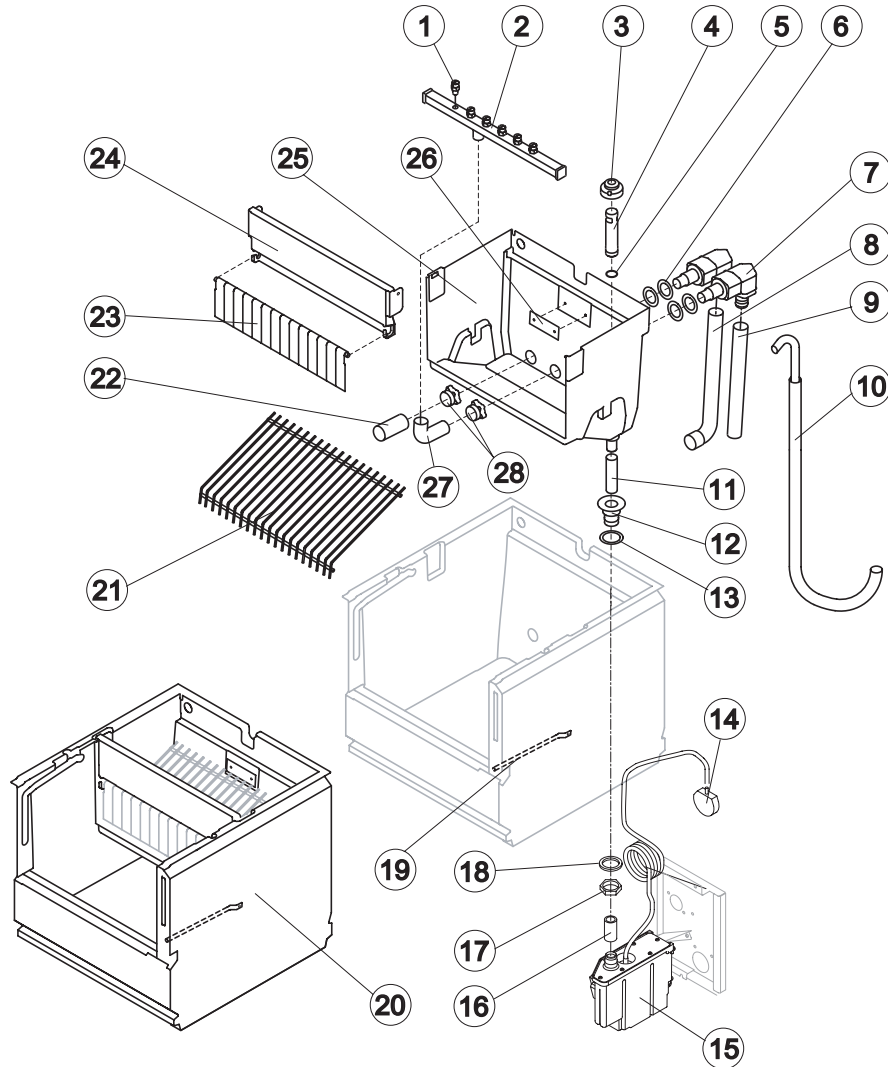
Rev. 00 - 10/01/2022



CB 316 HC B-Qube New

HYDRAULIC CIRCUIT

only for CB316A HC B-Qube DP



Common Parts

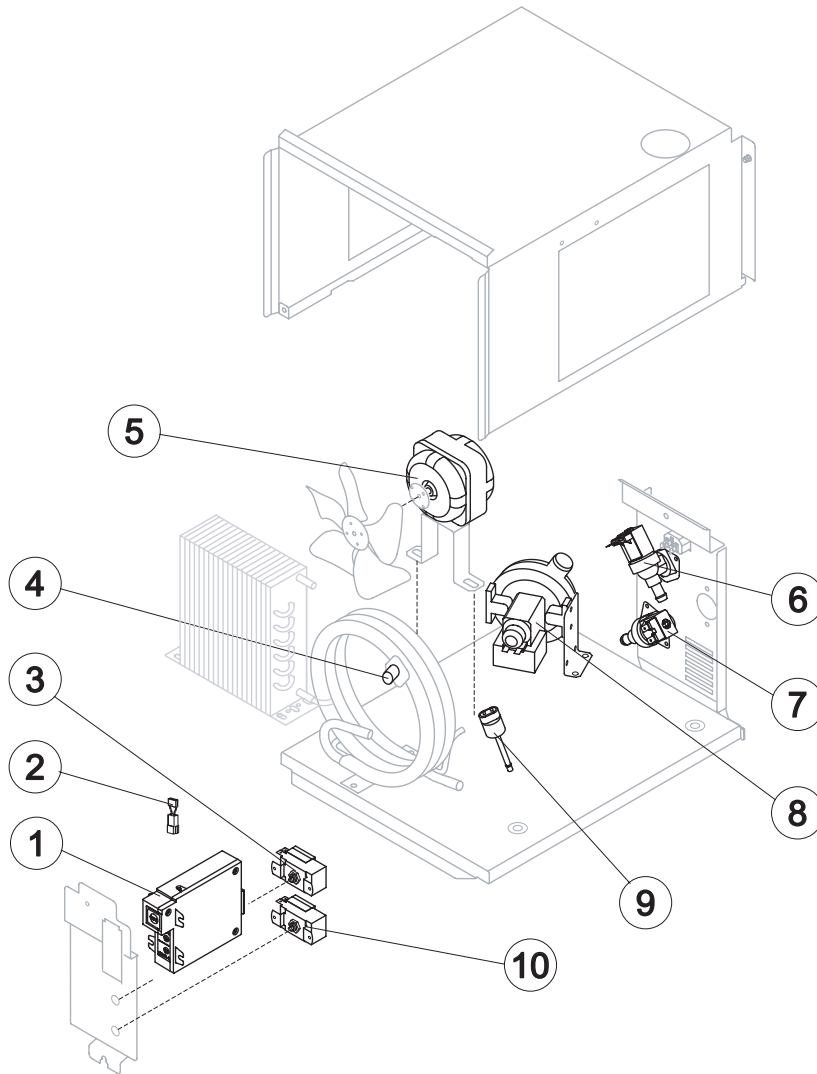
Ref.	Spare Description	Code
1	Sprayer	D20002
2*	Sprayers Bar Assembly	C201255
3*	Overflow Cap	10305
4*	Overflow Pipe	10133
5*	OR Gasket for Overflow Pipe	20233
6	Gasket for Pump Suction/Delivery Pipes	13220
7	Insulated Pump Suction/Delivery Fitting	C10653
8	Insulated Pump Suction Pipe	C13172
9	Insulated Pump Delivery Pipe	C13175295
10*	Water Supply Pipe to the Evaporator	C13224
11*	Overflow Pipe	13107
12	Water Outlet Nipple	10472
13	Gasket	13219
14	Drain Pump Pressure Switch	C231230
15	Drain Pump	RC231225
16	Bin Discharge-Drain Pump Connection	C13175100
17	Bin Discharge Nut	10096
18	Semirigid Polyethylene Gasket	13007
19	Bulbe-holder Pipe	20522
20	Complete Basin Assembly	C11257
21*	Ice Cubes Slide	D12137
22*	Pump Suction Filter	20005
23	Rod with Flags	10534
24	Flags ABS Support	10526
25	Inner Basin	10916
26	Slide Keep Plat	10009
27	Sprayers Feeding Pipe	13005
28	Fittings Locking Ring	10654

Rev. 00 - 10/01/2022



CB 316 HC B-Qube New

ELECTRIC PARTS



Common Parts

Ref.	Spare Description	Code
1*	Electronic Timer / On-Off (AWS)	R231154
3*	Bin Thermostat	23005
5*	Fan Motor	231041
7*	1 Way- Water Inlet Valve	23115
8*	Pump Assembly	C231397
9*	Condenser Pressure Switch	231352
10*	Evaporator Thermostat	23591

Parts for Air-Cooled Version Only

Ref.	Spare Description	Code
2	Anti Radio Interference Filter	C23459

Parts for Water-Cooled Version Only

Ref.	Spare Description	Code
2	Anti Radio Interference Filter	C23457
4*	Safety Thermostat	C23114
6*	1 Way- Water Inlet Valve	23115